



Installation Instructions Jet Kit

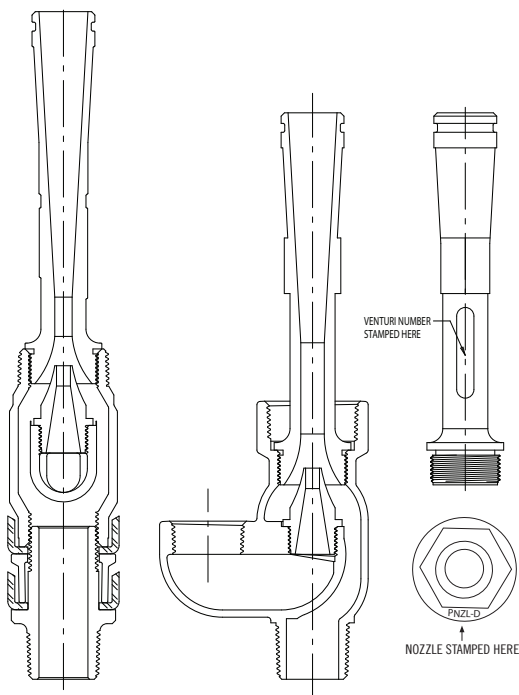


Figure 1

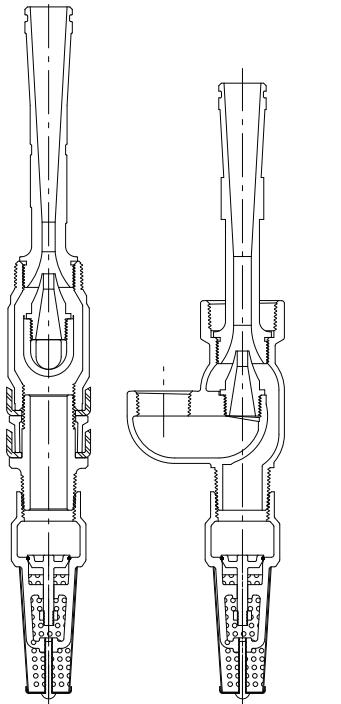


Figure 2

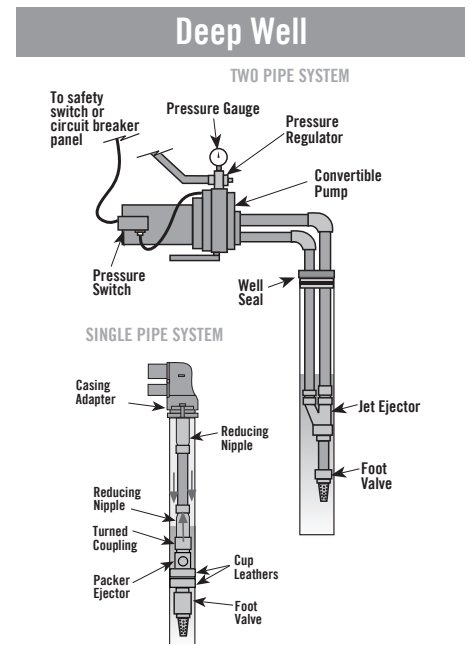


Figure 3

Jet Installation Instructions

1. After determining your model pump, select the proper Jet Ejector with appropriate nozzle and venturi. Using pump performance TABLE 1 determine the depth to water. Model 8050 and 8050D4JP 60 feet to water the TABLE 2, 30-60 option with nozzle PNZL-B and venturi PVNT-A23 will produce more water
2. Use TABLE 2 to select the correct nozzle and venturi to create your selected jet number. 3. Install the proper nozzle and venturi in the jet body. Refer to Figures 1 and 2 for proper installation.
4. Install the foot valve. Refer to Figure 3.
5. Install the jet in the well using either flexible poly pipe or rigid PVC pipe. Lower the jet into the well 10 to 20 feet below water level but at least 5 feet from the bottom of the well.
6. Install a sanitary well seal at the top of the well. For installations using poly pipe, add poly pipe adapters and short nipples to the pipe as it enters the well seal to prevent collapse of the pipe (Figure 3).
7. Connect the 1 1/4" pipe to the 1 1/4" opening on the pump. Next connect the 1" pipe to the 1" opening on the pump.
8. Fill the pipe and pump with water. Refer to the pump owner's manual for proper priming and start up instructions.

Cleaning / Replacing Ejector

1. Remove ejector from the well.
2. Remove venturi by unscrewing it (turn counter-clockwise)
3. Remove nozzle by unscrewing it with a 11/16" deep well socket wrench.
4. Clean nozzle and venturi carefully with an icepick. BE SURE you do not enlarge the holes.
5. Replace nozzle and venturi by turning in clockwise until snug. Do not overtighten.



Installation Instructions Jet Kit

TABLE 1 - Deep Well Ejector

| Model No. | HP | Well Casing | Jet Ejector* | Part No. | Deep Well Capacities in GPM - At Depth to Water in Feet | | | | | | | | | | | | | | | |
|-----------|-------|-------------|--------------|----------|---------------------------------------------------------|------|------|-----|-----|-----|-----|-----|-----|-----|-----|-----|-----|--|--|--|
| | | | | | 30 | 40 | 50 | 60 | 70 | 80 | 90 | 100 | 110 | 120 | 130 | 140 | 150 | | | |
| 8050 | 1/2 | 4" | 8050D4JP | 6156-173 | 9 | 7.2 | | | | | | | | | | | | | | |
| | | | | | 8.8 | 6.8 | 4.8 | 4.1 | | | | | | | | | | | | |
| | | | | | | | | 3.7 | 2.6 | 2.2 | 1.5 | | | | | | | | | |
| | | 2" | 8050D2JP | 6156-169 | 10.2 | 9 | | | | | | | | | | | | | | |
| | | | | | 7.9 | 6.5 | 6.3 | 6.5 | | | | | | | | | | | | |
| | | | | | | | | 4.3 | 3.9 | 3.5 | | | | | | | | | | |
| 8070 | 3/4 | 4" | 8070D4JP | 6156-174 | 14.5 | 14.3 | 12.1 | 7.8 | | | | | | | | | | | | |
| | | | | | | | | | 5.1 | 3.4 | 1.9 | | | | | | | | | |
| | | | | | | | | | | | 1.7 | 1.3 | 0.8 | | | | | | | |
| | | 2" | 8070D2JP | 6156-170 | 12.1 | 11.7 | 10.2 | 7.5 | | | | | | | | | | | | |
| | | | | | | | | 6.5 | 6 | 4.5 | 3.9 | | | | | | | | | |
| | | | | | | | | | | | | | | | | | | | | |
| 8010 | 1 | 4" | 8010D4JP | 6156-179 | 16.3 | 14.3 | 11.6 | 7.8 | | | | | | | | | | | | |
| | | | | | | | | 9.6 | 7.2 | 4.5 | | | | | | | | | | |
| | | | | | | | | | | 4.3 | 3.1 | 2.9 | 1.5 | | | | | | | |
| | | 2" | 8010D2JP | 6156-171 | 13.3 | 11.2 | 10.4 | 9.1 | | | | | | | | | | | | |
| | | | | | | | | 7.1 | 6.8 | 5.1 | 4.6 | 3.8 | | | | | | | | |
| | | | | | | | | | | | | | | | | | | | | |
| 8015 | 1 1/2 | 4" | 8015D4JP | 6156-176 | 19 | 15.1 | 11 | 8.1 | 3.8 | | | | | | | | | | | |
| | | | | | | | | | 5.3 | 4.4 | 2.8 | 2.6 | 2 | 1.7 | 1.3 | 0.9 | 0.5 | | | |

* Jet ejector kits include venturis and nozzles for all depths

TABLE 2 - Two Pipe Ejector Deep Well

| Jet Ejector* | Part No. | Depth to Water (ft.) | Nozzle No. | Venturi No. |
|--------------|----------|----------------------|------------|-------------|
| 8050D4JP | 6156-173 | 30-40 | PNZL-C | PVNT-A26 |
| | | 30-60 | PNZL-B | PVNT-A23 |
| | | 60-80 | PNZL-A | PVNT-A20 |
| 8070D4JP | 6156-174 | 30-60 | PNZL-C | PVNT-A29 |
| | | 70-90 | PNZL-B | PVNT-A25 |
| | | 90-110 | PNZL-B | PVNT-A22 |
| 8010D4JP | 6156-179 | 30-60 | PNZL-C | PVNT-A30 |
| | | 60-80 | PNZL-C | PVNT-A27 |
| | | 80-110 | PNZL-B | PVNT-A22 |
| 8015D4JP | 6156-176 | 30-70 | PNZL-E | PVNT-A34 |
| | | 70-150 | PNZL-D | PVNT-A27 |

Single Pipe Deep Well Packer Assembly

| Jet Ejector* | Part No. | Depth to Water (ft.) | Nozzle No. | Venturi No. |
|--------------|----------|----------------------|------------|-------------|
| 8050D2JP | 6156-169 | 30-40 | PNZL-C | PVNT-A26 |
| | | 30-60 | PNZL-B | PVNT-A23 |
| | | 60-80 | PNZL-A | PVNT-A20 |
| 8070D2JP | 6156-170 | 30-60 | PNZL-A | PVNT-A27 |
| | | 60-90 | PNZL-A | PVNT-A23 |
| 8010D2JP | 6156-171 | 30-60 | PNZL-B | PVNT-A29 |
| | | 60-100 | PNZL-B | PVNT-A25 |